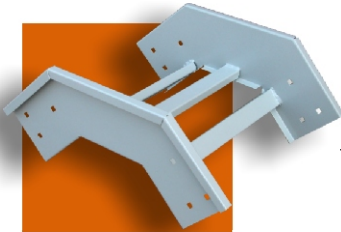


## Accessories

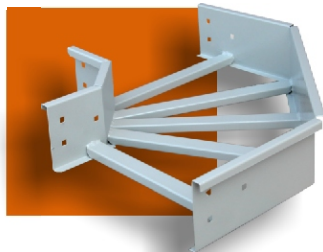
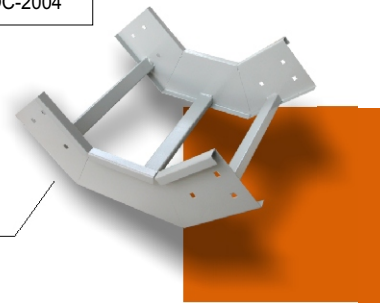


90° OUTSIDE CORNER BEND

Stock No.
LROC-1003
LROC-1004
LROC-1204
LROC-1404
LROC-1604
LROC-2004

Stock No.
LRIC-1003
LRIC-1004
LRIC-1204
LRIC-1404
LRIC-1604
LRIC-2004

90° INSIDE CORNER BEND

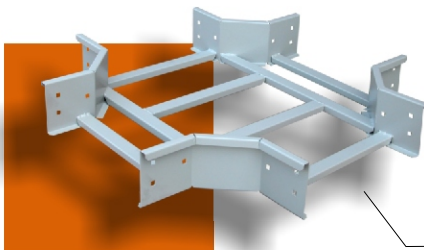
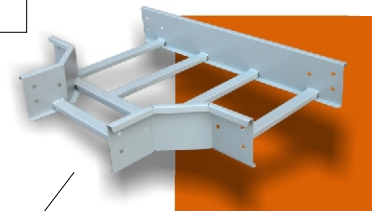


90° CORNER BEND

Stock No.
LRBC-1003
LRBC-1004
LRBC-1204
LRBC-1404
LRBC-1604
LRBC-2004

Stock No.
LRHT-1003
LRHT-1004
LRHT-1204
LRHT-1404
LRHT-1604
LRHT-2004

HORIZONTAL "T"



HORIZONTAL CROSS

Stock No.
LRHC-1003
LRHC-1004
LRHC-1204
LRHC-1404
LRHC-1604
LRHC-2004

Features:

- ▶ Cold Rolled Steel 18 AWG.
- ▶ Electrostatic microfinish paint.